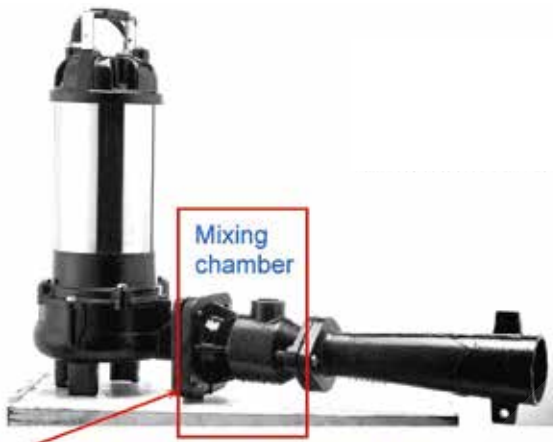


JA

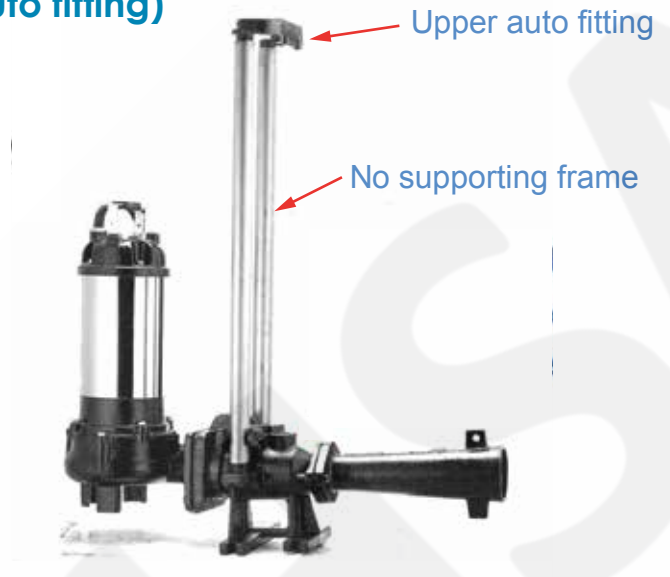
(without auto fitting)



Please add on the auto setter stand between pump & mixing chamber.

TJA

(with auto fitting)



Features :

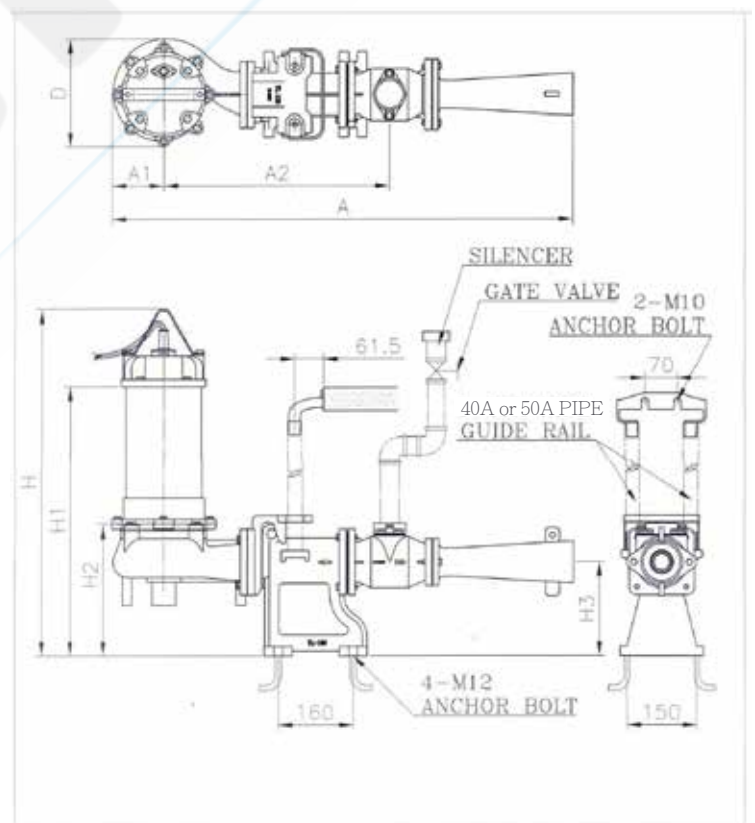
- *High oxygen transfer rate, BOD easy to remove from wastewater treatment.
- *Mixing and stirring applications for uniform MLSS due to fine bubbles convention.
- *Low noise and low cost for construction and maintenance.

Applications:

The wastewater treatment aeration and agitation for any kinds of factories.

Construction:

Items		(T)JA	(T)KJA
Working Fluid	Kind	Sewage and Waste Water	
	Temperature	0~40°C	
	PH value	6 -- 8	3 -- 11
Pumps	Impeller	FC 200	SCS16A
	Casing	FC 200	SCS16A
	Mechanical seal	CA / CE	Sic / Sic
Motors	Insulation	Class	
	Protector	Over-temperature and Over-current	
	Housing	SUS 304	SUS 316
	Shaft	SUS 410	SUS 316 J2
	Cable	H -- 07 (VDE)	H -- 07 (VDE)



Specifications:

Model	Output		Rated			Aeration Tank			Dimension (mm)								
			Air	OTR	W.Depth	Length	Width	Height									
	HP	kW	m ³ /hr	kg-O ₂ /hr	m	m	m	m	A	A1	A2	D	H	H1	H2	H3	PIPE
JA-04	1/2	0.4	5	0.12~0.23	1.5	2.0	1.8	2.0	649	82	197	163	417	304	120	72	40A
JA-07	1	0.75	10	0.3~0.5	2.0	3.0	2.5	3.0	649	82	197	163	471	347	120	72	40A
JA-15	2	1.5	22	0.9~1.1	2.5	4.0	3.5	3.5	719	103	246	208	548	400	122	72	40A
JA-22	3	2.2	40	1.9~2.2	3.0	5.0	4.5	4.0	719	103	246	208	568	420	122	72	40A
JA-37	5	3.7	70	2.9~3.5	3.5	6.0	5.0	5.0	769	110	266	227	633	468	160	92	50A
JA-55	7.5	5.5	100	4.2~5.1	4.0	7.0	6.0	6.0	769	110	266	227	673	508	160	92	50A

Performance:

